

Raptor YLight

The Raptor Y Light full height rotary turnstile is a renewed vision of a full height turnstile with the best price / functionality ratio on the market. The dimensions and design of the turnstile allows installation in places with limited space, indoors, at small checkpoints. The use of the new mechanism gives full confidence in the reliability of this turnstile, guaranteeing unambiguous protection of the perimeter in a wide range of operating conditions. At the same time, the Raptor Y Light turnstile is beautiful and functional - the model has an elegant design, supports integration with most access control systems and does not require frequent maintenance.



Full-height Y-shaped rotor

minimal dimensions,
high reliability



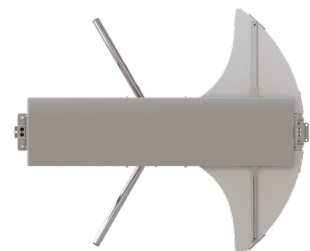
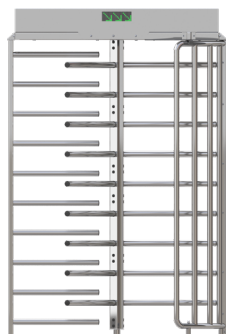
Versatility of connection

integration with most
access control systems



Fully automated

a new generation smart
system turnstile



lotgroup

Our solutions create new opportunities

2J, Vitinya str, fl. 1, Entr. C , 1510 Sofia
Tel: +359 878 632215, Fax: +359 2 824190
office@lot-bg.com, www.lot-bg.com

Functional features:

- The turnstile is built to withstand the harshest weather conditions, being manufactured from polished stainless steel, brushed stainless steel and painted ferrous metal.
- The blades can be fixed in any position (both three-bladed and four-bladed modifications are possible).
- Reasonable Cost: Due to its size, the Raptor Y Light is priced lower than Max models.

Design options:

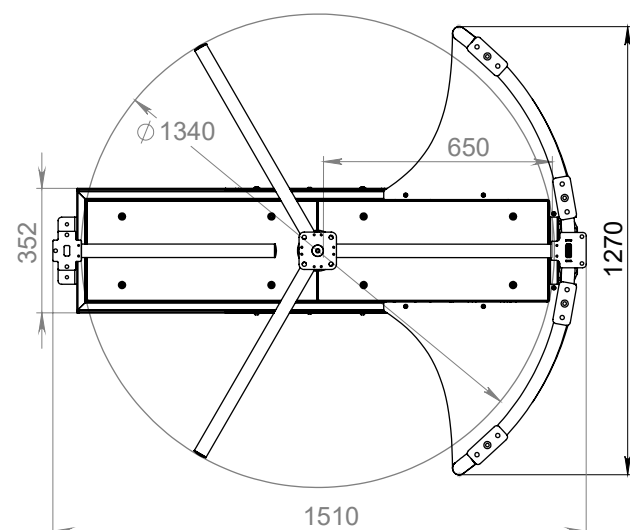
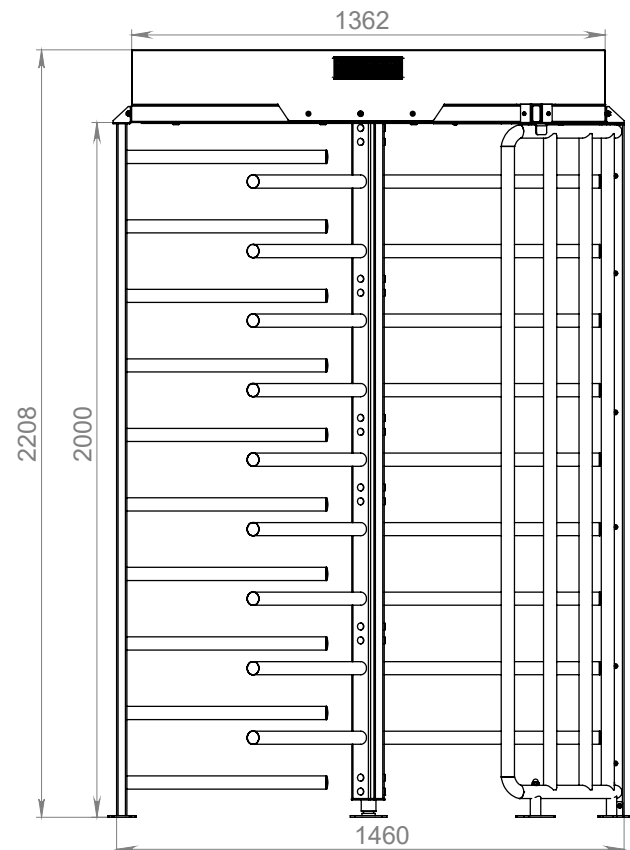
Casing:	polished stainless steel
	brushed stainless steel
	painted black metal
Rotor:	polished stainless steel
	brushed stainless steel
	painted black metal
Mechanism:	electromechanical enhanced

Overall dimensions:

Case height	2208 mm
Case width	1510 mm
Case depth	1270 mm
Passage width	650 mm
Weight	150kg

Specifications:

DC power supply	24V ± 15%
Passage power consumption	180 W
Idle power consumption	40 W
Capacity	20 persons/ min and more
Working temperatures	-30...+50°C
Dust and water protection rating	IP 54



The manufacturer has the right to change the characteristics of the goods without prior notice.